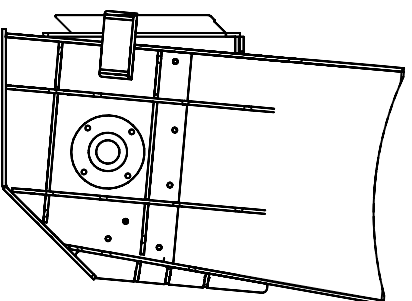
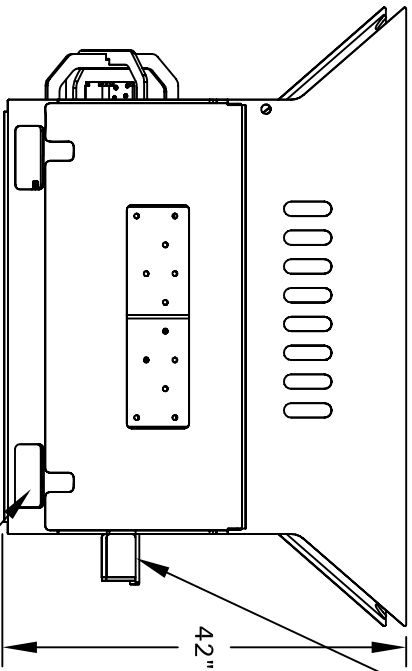
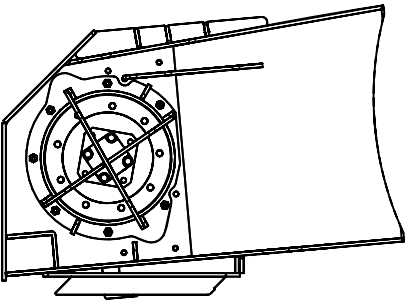
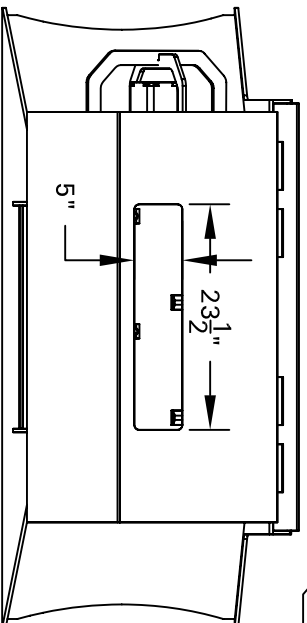


- Features:
- 1) Requires 15GPM minimum - 20GPM optimum
 - 2) Weight = 1550lb empty
 - 3) 1/2 cubic yard charge hopper



3" x 6" Fork Pockets



Hog Crusher™
Overall Dimensions

EZ GROUT, CORP.
1833 N RIVERVIEW ROAD
MALTA, OH 43758

DWG BY: Scott R. Lang

CHECKED BY:

SHEET NUMBER OF

DWG NO.:

SCALE: 1" = 20"

DWG DATE: 04/13/09

CHECK DATE:

REV.

All drawings are sole property of EZ-GROUT Corp., McCannelsville, Ohio. Copying or changing drawing is only prohibited with consent of owner.