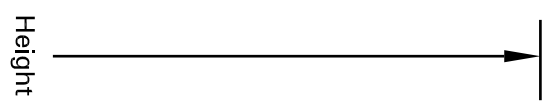




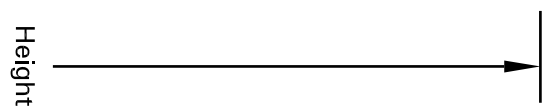
Width



Width



Height



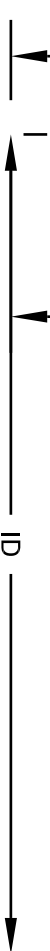
Height

Buck Type: 1
Buck ID is MFG
Model Number

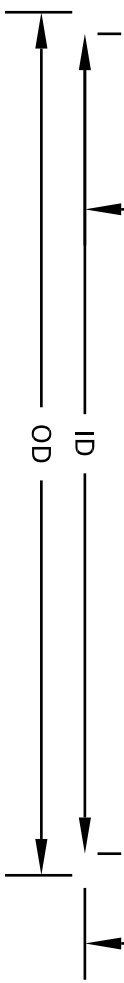
Buck Type: 2
Buck ID is MFG
Model Number

Opening

Opening



ID



ID

OD

ID	
OD	
Height	
Width	
Opening	
Buck Type	
Buck ID	

Approval: _____

Date: _____

By signing this agreement the Customer accepts EZ Grout Corporations design to Customer specification. EZ Grout will build the Buck Hog™ as shown. Any design modification initiate by customer after the above approval date will be subject to additional charges or Fees as needed.

not prohibited with
consent of owner.

Buck Hog™
Buck Dimensions - Blank Worksheet

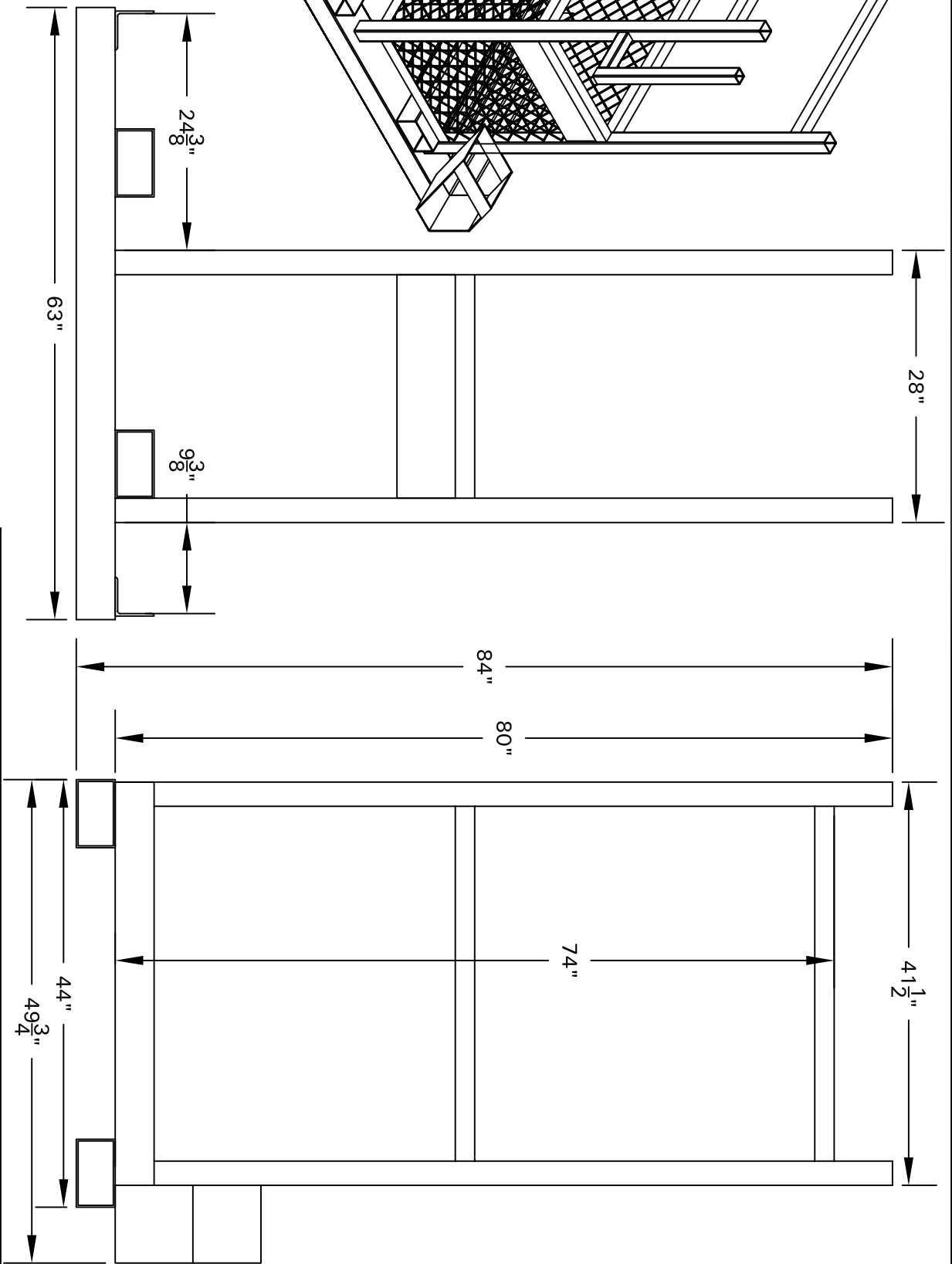
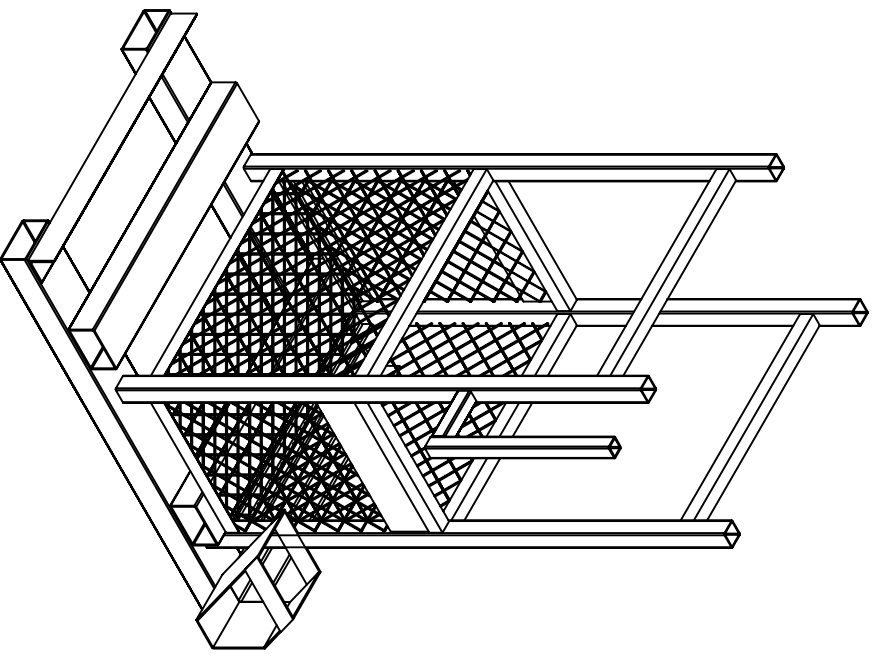
BUCK

1" = 4"

Scott R. Lang

05/26/05

50% Required at Order (non-refundable)
50% Net30 after Custom MH20 is Shipped



**BUCK HOG™
STANDARD DIMENSIONS**

EZ-GROUT, CORP.
5950 S. E. RT. 60
MCCONELSVILLE, OH 43756

DWG BY: Scott R. Lang

CHECKED BY:

SHEET NUMBER OF REV.

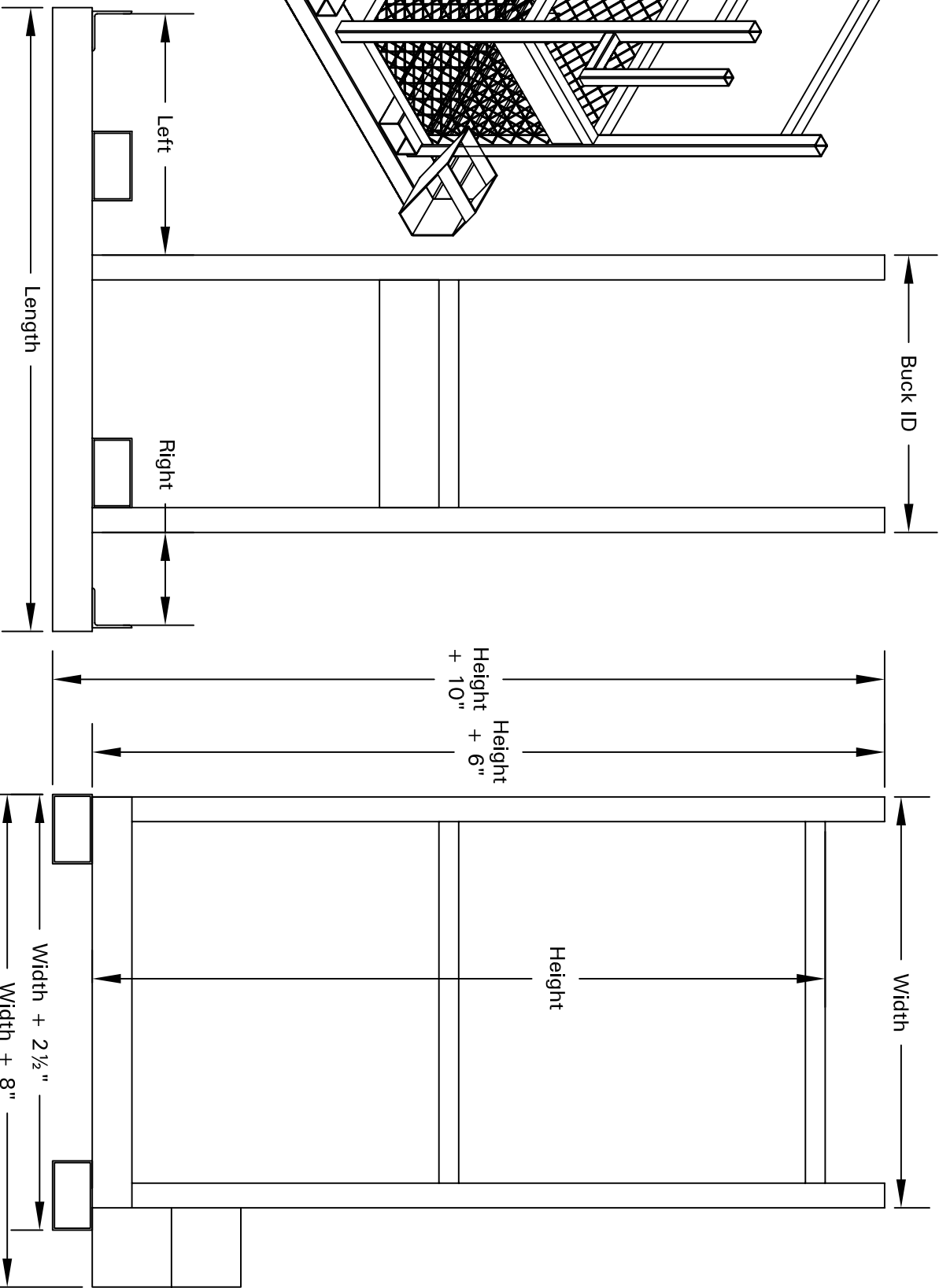
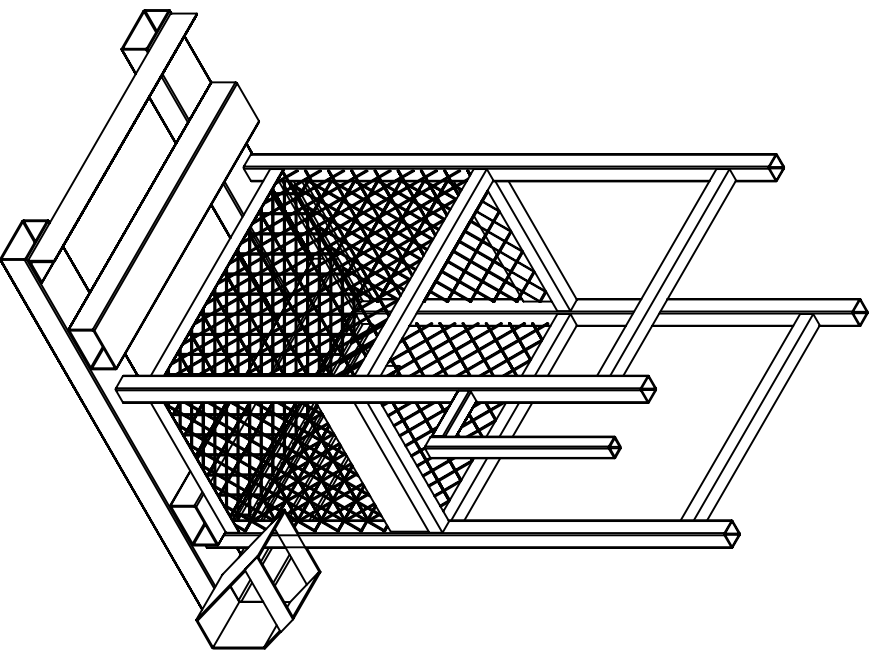
DWG NO.:

SCALE: 1" = 16"

DWG DATE: 03/28/05

CHECK DATE:

All drawings are sole property of EZ-GROUT Corp., McConnellsville, Ohio. Copying or changing drawing is only prohibited with consent of owner.



Length	
Width	
Height	
Left	
Right	
Buck ID	

Approval: _____

Date: _____

By signing this agreement the Customer accepts EZ GrouT Corporations design to Customer specification. EZ GrouT will build the Buck Hog™ as shown. Any design modification Initiate by customer after the above approval date will be subject to additional charges or fees as needed.

50% Required at Order (non-refundable)
50% Net30 after Custom MH20 is Shipped

**BUCK HOG™
ORDER APPROVAL**

EZ-GROUT, CORP.
5950 S. E. RT. 60
MCCONELSVILLE, OH 43756

DWG NO.:
SCALE: 1" = 16"

DWG BY: Scott R. Lang

DWG DATE: 03/28/05

CHECKED BY:

CHECK DATE:

SHEET NUMBER OF

REV.

All drawings are sole property of EZ-GrouT Corp., McConnellsville, Ohio. Copying or changing drawing is only prohibited with consent of owner.