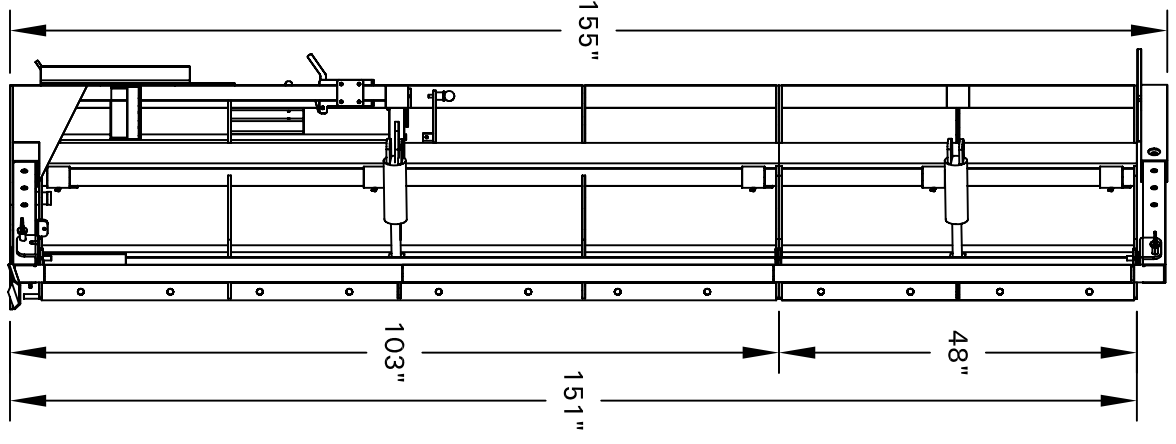
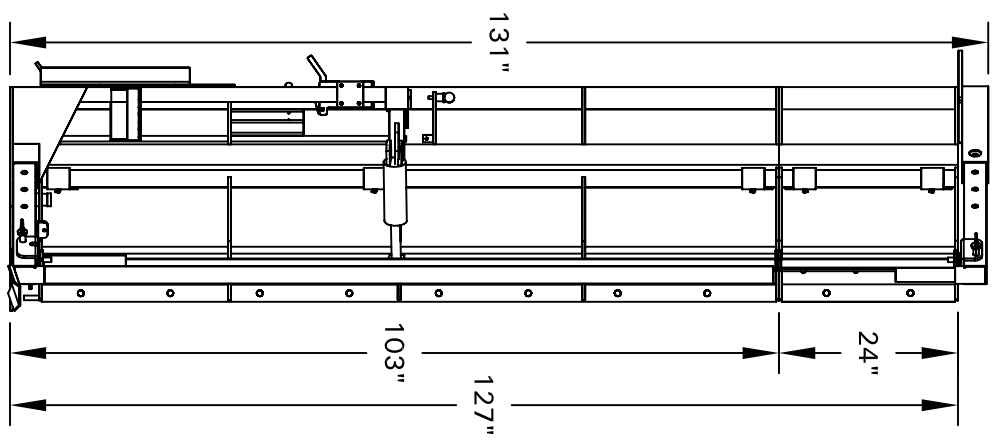
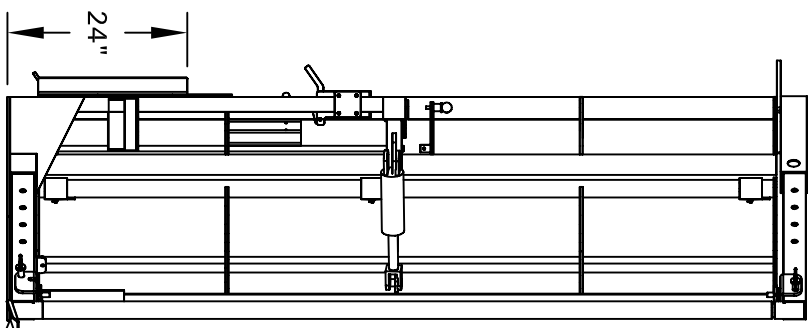
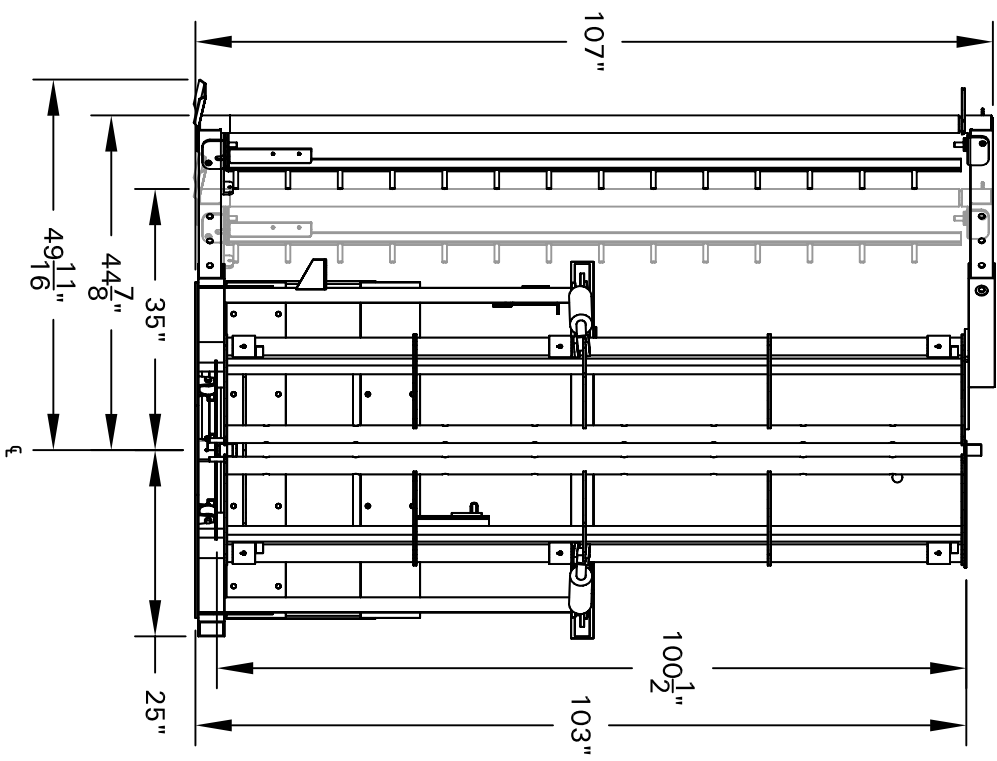


- Features:
- 1) Weight FH08-24 only = 1195 lb/ 543 Kg
 - 2) Weight w/ 2 ft Ext = 1350 lb/ 614 Kg
 - 3) Weight w/ 4ft Ext = 1545 lb/ 702 Kg



FH08-24 24" Fence Hog®
Overall Dimensions

All drawings are sole property of EZ-GROUT Corp., McConnelsville, Ohio. Copying or changing drawing is only prohibited with consent of owner.

EZ-GROUT, CORP. 5950 S. E. RT. 60 MCCONNELSVILLE, OH 43756		DWG NO.:
DWG BY: Scott R. Lang		SCALE: 1" = 27"
CHECKED BY:		DWG DATE: 09/18/07
SHEET NUMBER		CHECK DATE:
OF		REV. A